

The High Efficiency LED Tube Retrofit Solution

Universal Tombstone Set can accommodate 1-, 2-, 3-, 4-, 6-, 8-lamp luminaires or U-bent luminaires. Universal Tombstone Set is pre-wired for single-end-powered (SEP) operation of LED tube lights and comes with wired non-shunted tombstones and matching slave sockets. Harnesses include quick-disconnect for NEC compliance.



TECHNICAL DATA (Subject to change)

Product SKU No.	Type	Tombstone Size	LED Lamp Compatibility*	Input Voltage /Frequency	Mounting
240065	1 Lamp Harness Kit	Medium	SEP G13 Medium Bi-Pin LED Tube Lamps	120-277VAC / 50/60Hz	Snap-In
240066	2 Lamp Harness Kit	Medium	SEP G13 Medium Bi-Pin LED Tube Lamps	120-277VAC / 50/60Hz	Snap-In
240067	3 Lamp Harness Kit	Medium	SEP G13 Medium Bi-Pin LED Tube Lamps	120-277VAC / 50/60Hz	Snap-In
240068	4 Lamp Harness Kit	Medium	SEP G13 Medium Bi-Pin LED Tube Lamps	120-277VAC / 50/60Hz	Snap-In
240090	6 Lamp Harness Kit	Medium	SEP G13 Medium Bi-Pin LED Tube Lamps	120-277VAC / 50/60Hz	Snap-In
240091	8 Lamp Harness Kit	Medium	SEP G13 Medium Bi-Pin LED Tube Lamps	120-277VAC / 50/60Hz	Snap-In
240092	U-Bent Harness Kit	Medium	SEP G13 Medium Bi-Pin LED U-Bent Lamps	120-277VAC / 50/60Hz	End Mount

* Not compatible with ballast-ready tube lamps.

PRODUCT SPECIFICATIONS

- G13 medium bi-pin non-shunted tombstones
- For 0.024" - 0.039" (0.6 mm - 1.0 mm) panel thickness
- Rated 660W and 600V
- Flexible snap-in shoulder for easy installation
- Quick disconnect for NEC compliance
- 23" wire lead from quick-disconnect to first tombstone
- 11" wire jumper from tombstone to tombstone (13" for U-bent)

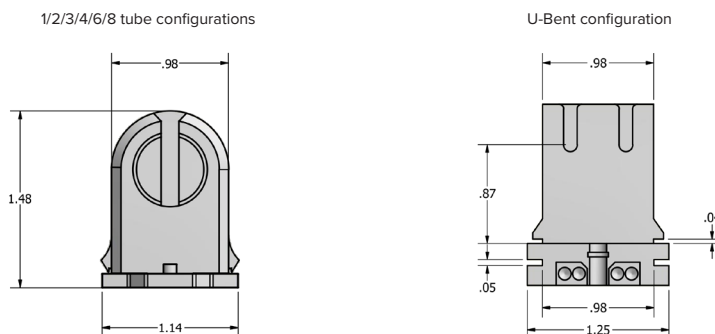
PRODUCT HIGHLIGHTS

- Designed to simplify LED tube retrofits
- Specifically made for single-end-power (SEP) wiring configurations
- Quick and easy installation
- Configurable to customer needs
- Long product life supported by industry-leading 10-year warranty

CUSTOM OPTIONS

Additional socket types and wire lengths available to meet your customer needs. Please contact your sales representative for more information.

DIAGRAMS (All dimensions in inches)



WARRANTY



Our Industry-Leading 10-Year Limited Warranty Guarantees Unsurpassed Quality

For more information, visit rvlti.com or call 1-844-785-8324.

